

# Fluid Handling: CE Certified Panel Unit



CE

A permanently mounted, continuous-duty system for critical applications or difficult to access equipment. It also can serve as a maintenance station.

# The Overview

## The Panel Unit:

### Where It's Used

- Decontaminating systems
- Cooling systems
- Collecting oil samples for analysis

### What Is Standard?

- Automatic pressure relief valve
- Dual-stage filtration
- Durable frame with drip pan for direct mounting
- Industrial powder-coated paint
- Filter bypass
- Sample valves
- Connector Type: BSPP ISO B couplers with female ends
- Drain: 1" (2.54cm) hose and connections
- Fill: ¾" (1.9cm) hose and connections
- Manual filter bypass
- High-viscosity sample valves
- One-year warranty

### Performance

For filtering mineral-based industrial oils and most synthetic oils with a maximum operating viscosity range of ISO 680 (3000ssu/648cSt) at 100°F/38°C within ambient temperature ranges of -8°F to 104°F (-22°C to 40°C)

#### Materials:

- Frame: Carbon steel
- Paint: Industrial powder coat
- Filter Heads: Aluminum
- Fittings: Zinc-plated steel and/or brass
- Pumps: Aluminum/steel
- Piping Hoses: Clear PVC with steel wire

#### Filter Indicators:

- Filter indicator pops at 22psid (1.55bar) as warning that filter elements need to be replaced.

#### Pump Relief:

- Opens at 65psi (5.49bar)

#### Weight:

- Approximately 115-130lbs/52.3-50Kg (will vary depending on options selected)

#### Dimensions:

- 15.25"L x 23"W x 24.8"H / 40.1cm x 59.2cm x 63cm

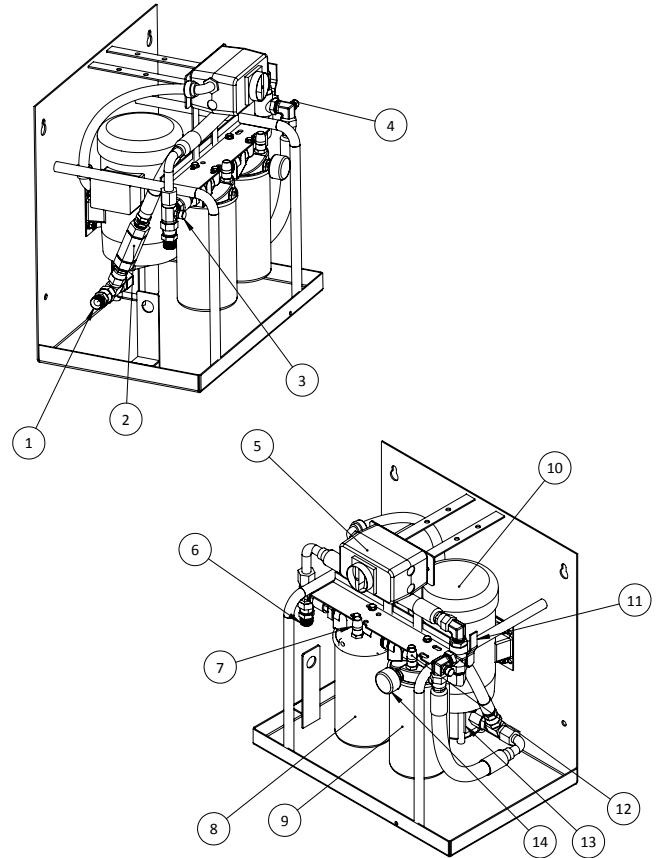
### Did You Know?

New oil should be filtered to two (2) ISO levels cleaner than the target cleanliness of the intended component.

# The Specs

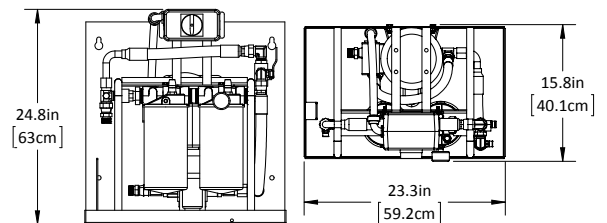
## By the Numbers

Item No.	Description	Qty.
1	¾" MBSPP Inlet	1
2	Pump Relief Valve-65psi (5.49bar)	1
3	Post Filter Sample Valve	1
4	Pre-Filter Sample Valve	1
5	Enclosed Motor Start Switch	1
6	¾" MBSPP Outlet	1
7	2nd Filter Change Indicator	1
8	2nd Filter	1
9	1st Filter	1
10	Motor	1
11	Manual Filter Bypass Valve	1
12	1st Filter Change Indicator	1
13	Pump	1
14	System Pressure Gauge	1



## Replace Your Elements

Part No.	Micron Rating
FC-AF	Beta 200 @ 3um
FC-BF	Beta 200 @ 6um
FC-CF	Beta 200 @ 12um
FC-DF	Beta 200 @ 25um
FC-JF	Water Removal



For ordering information, please see insert or contact us at (615) 672-8800.

# To Order: Panel Unit

P				2	0	0	B	
Box 1	Box 2	Box 3					Box 4	

## Pump/Motor Combinations [Box 1]

110 VAC Options		220 VAC Options	
Code	Description	Code	Description
02G	1.5gpm/1 hp electric, 110 vac, 50 Hz, 1425 rpms, 12.4 amps	02H	1.5gpm/1 hp electric, 220 vac, 50 Hz, 1425 rpms, 6.2 amps
05G	4gpm/1 hp electric, 110 vac, 50 Hz, 1425 rpms, 12.4 amps	05H	4gpm/1 hp electric, 220 vac, 50 Hz, 1425 rpms, 6.2 amps

**NOTE:** Performance will vary depending on operating temperature, fluid type, and unit options. 65psi (5.49bar) pressure relief valve included. Call Des-Case for assistance in choosing a flow rate specific to your needs.

## Filter A [Box 2]/ Filter B [Box 3]

Code	Description
A	3-micron Particulate Filter
B	6-micron Particulate Filter
C	12-micron Particulate Filter
D	25-micron Particulate Filter
J	Water Filter

## Custom Colors [Box 4]

Code	Description
1	Brushed Aluminum
2	Black
3	White
4	Blue
5	Red
6	Yellow

# Fluid Handling: CE Certified Des-Case Products

We currently offer CE certified filter carts, drum toppers, and panel units for your use.

Learn more about these systems today at [www.descase.com](http://www.descase.com).

Des-Case Corporation  
675 N. Main St.  
Goodlettsville, TN 37072  
(615) 672-8800  
Fax (615) 672-0701  
[www.descase.com](http://www.descase.com)

## Keeping Contamination Under Control<sup>®</sup>

© 2013 Des-Case Corporation. All rights reserved.

® Des-Case and the tagline "Keeping Contamination Under Control" are registered trademarks of Des-Case Corporation.

